



# FERMATIC 3500 - 4400 - 7500



Manual systems for sliding doors up to 200 and 400 kg  
Patented

**3500**  
200 Kg  
Steel rail

**7500**  
200 Kg  
Stainless Steel rail

**4400**  
400 Kg  
Steel rail





## FERMATIC SYSTEM (Patented)

All 3 rails have the same patent. The mobile part of each system is located inside the track which also acts as a cover and simplifies the maintenance.

### 3 manual systems :

- **3530 Steel** : for doors up to 200 Kg maxi, with lever handle
- **3530 DV Steel** : for double leaves doors, 200 Kg per leaf with simultaneous opening
- **7530 Stainless Steel** : for doors up to 200 Kg maxi, with lever handle
- **4440 Steel** : for doors up to 400 Kg maxi, with lever handle.
- The rails 3500 and 4400 are made of zinc-bichromated **Steel** (20 Microns)
- The rail 7500 is made of **Stainless Steel** AISI 304L
- The mobile part of 3500 and 7500 are made of Anodized Aluminium (**Duralinox**)
- The mobile part of 4400 is made of zinc-bichromated **Steel** (20 Microns)

### Features and advantages :

- Pleasing appearance and excellent hygiene properties are achieved by the rail concealing the mechanical components
- System **3500** and **7500** are interchangeable
- Easy and smooth operation
- Robustness
- Top quality sealing
- Easy mounting and adjustments
- Easy stocking due to symmetrical design (right or left hand)
- Minimum overlap on top of the door
- The special gasket remains soft down to - 40 degrees C
- Products in accordance to the European Directives and Standards
- The systems **7500** with **Stainless Steel** rail are specially recommended for use in salty and corrosive atmosphere, like dairys, meat...

### ACCESSORIES

- Internal and external lever handles, face or edge-fixing
- Gaskets

### OPTIONS

- Lock 37 / 37HP or 57 / 57HP
- Automatic Kit \*

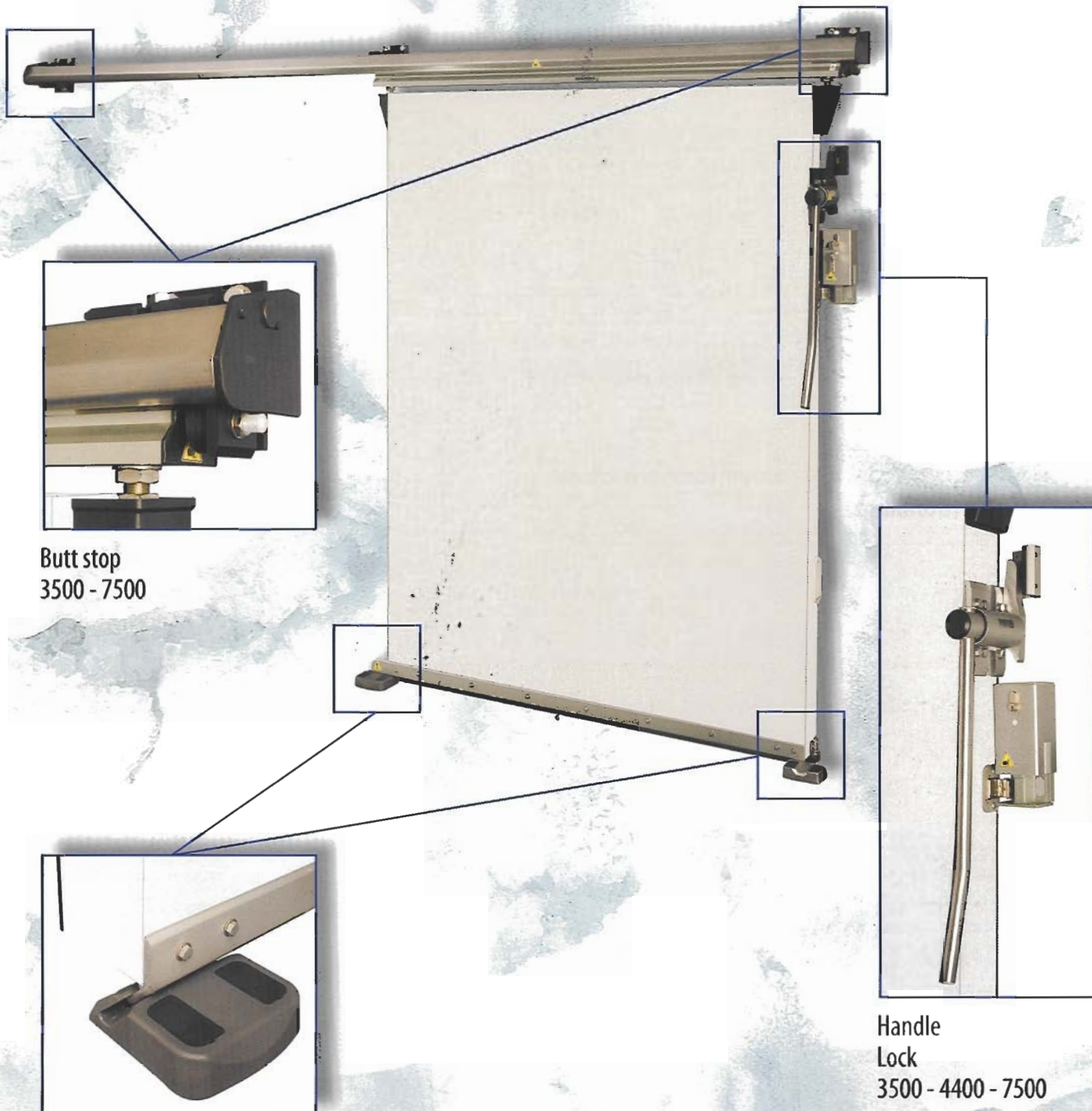
\* Ask for detailed literature







# FERMATIC 3500 - 4400 - 7500



Butt stop  
3500 - 7500

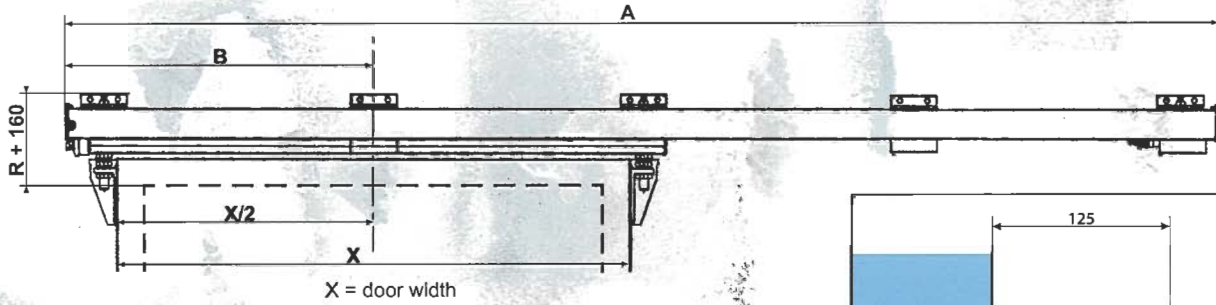
Handle  
Lock  
3500 - 4400 - 7500

Floor guiding rail  
3500 - 4400 - 7500



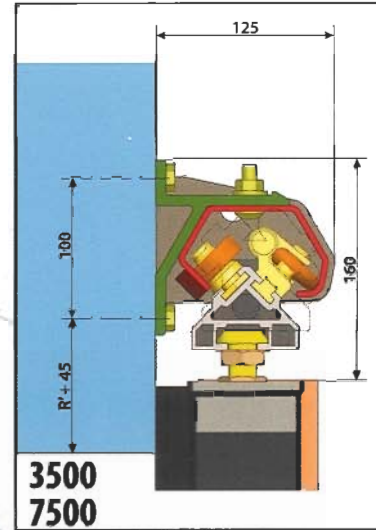


# FERMATIC 3500 - 4400 - 7500

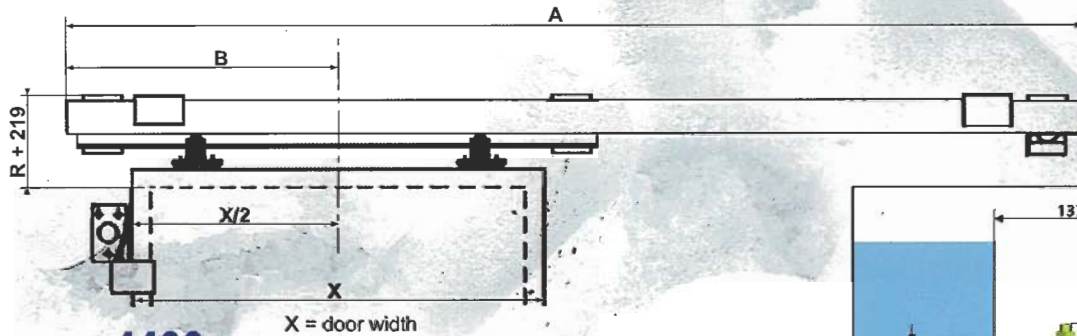


## ■ 3500 / 7500

References	Door width	A	B
3531/7531	840 to 1140 mm	2550	675
3532/7532	1141 to 1440 mm	3150	825
3533/7533	1441 to 1740 mm	3750	975
3534/7534	1741 to 2040 mm	4350	1125
3535/7535	2041 to 2340 mm	4950	1275
3536/7536	2341 to 2640 mm	5550	1425
3537/7537	2641 to 2940 mm	6150	1575
3538/7538	2941 to 3240 mm	6750	1725

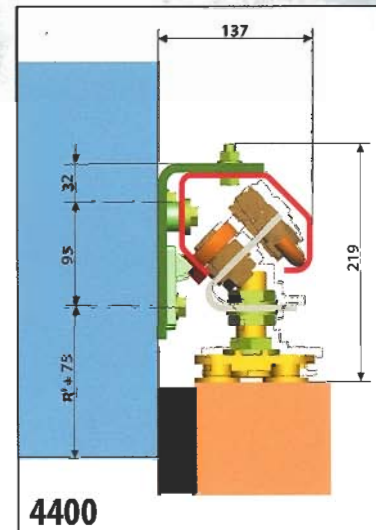


3500  
7500



## ■ 4400

References	Door width	A	B
4441	840 to 1140 mm	2580	690
4442	1141 to 1440 mm	3180	840
4443	1441 to 1740 mm	3780	990
4444	1741 to 2040 mm	4380	1140
4445	2041 to 2340 mm	4980	1290
4446	2341 to 2640 mm	5580	1440
4447	2641 to 2940 mm	6180	1590
4448	2941 to 3240 mm	6780	1740



4400

. Bigger dimensions on request

DISTRIBUTOR



# FERMOD®



75, rue de Richelieu - 75002 PARIS - FRANCE  
 Tél. : 33 (0)1 42 96 94 06 - Fax : 33 (0)1 42 86 84 51  
<http://www.fermod.com> • e-mail: [contact@fermod.com](mailto:contact@fermod.com)  
 Siège Social : Senlis (Oise) - Société Anonyme au Capital de 1 004 400 €  
 RCS Senlis B 301 468 211 - Siret 301 468 211 0001B - APE 2572 Z

Imp. POLYSERVICES - Beauvais

